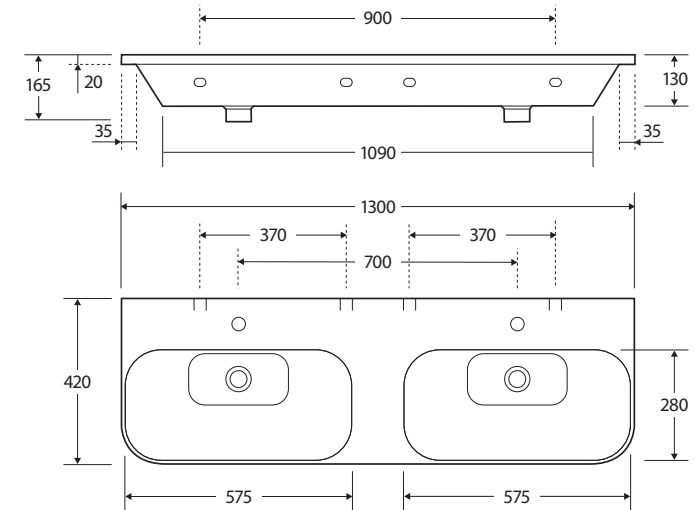


F50 Curva 1300 WALL-HUNG BASIN

Features

- Beautifully curved Italian ceramic
- Designed by Federico Tombolini
- Slim 420mm depth basin
- Fully glazed underneath
- One tap hole with overflow
- Requires 32 mm waste with overflow (not included)
- Wall mounting bolts included



Made in Italy

Available in



Gloss White
CURVA130

Cleaning & Care

- Wipe with a clean, soft cloth and mild soapy water or non-abrasive bathroom cleaner. Test in an inconspicuous area before cleaning the whole basin.
- Avoid placing hot objects, such as hair straighteners, on any surface as these will cause discolouration and marking.
- Spills of hair dye, after-shave lotion, nail polish and remover, aerosol spray and other harsh chemicals should be removed immediately to prevent damage and discolouration. Clean immediately with mild soapy water using a clean, soft cloth.

While we aim to ensure specifications are correct at the time of publication, Fienza reserves the right to make modifications without prior notice. Physical colour may vary from image shown. All measurements are shown in millimetres. For ceramic products, please allow +/- 10 mm tolerance for manufacturing variance. Always use physical product measurements for mark-ups and roughing-in as the technical drawing may differ from actual product received.